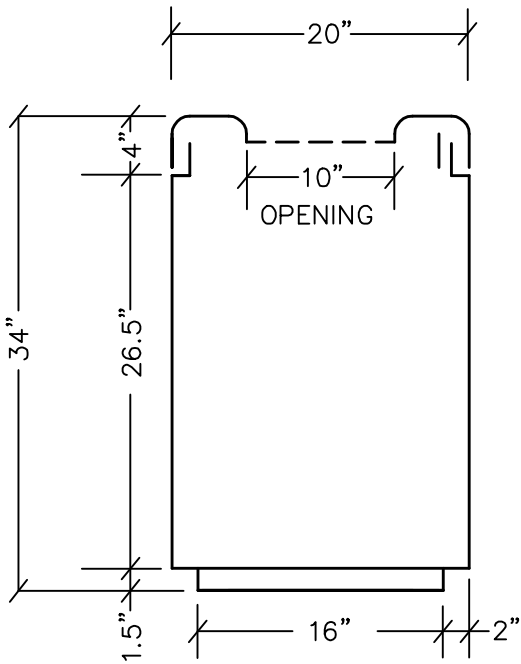
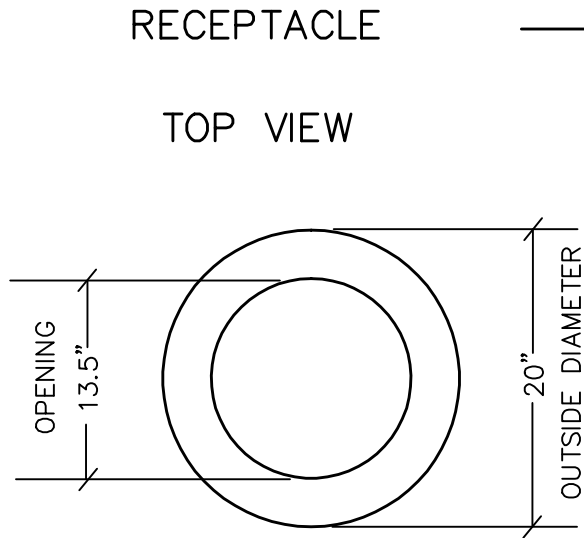


ASHTON RECEPTACLE  
MODEL NUMBER 7C-2032T



RECEPTACLE  
LINER

